

Speaker

Model: OSS30-50-8A2.5W4-C



ELECTRICAL SPECIFICATIONS

	Condition	Parameter	Unit
Sound Pressure Level	at 0.1W, 0.1M [at 0.8, 1.0, 1.2, 1.5KHz]	95 ± 3	dB
Impedance	at 1V, 1000Hz	4 ± 15%	Ω
Rated Input Power		2.5	W
Max Input Power		3	W
Resonant Frequency (Fo)	at 1V	850 ± 15%	Hz
Frequency Range		F0 ~ 20000	Hz
Buzzer & Rattles	not be audible at sine wave between 400 ~ 4KHz	3.16	V
Operating Temperature		-40 ~ 85	°C
Magnet		Nd-Fe-B	
Frame Material		ABS	
Cone Material		Mylar (PEI)	
Weight		21	g
Dustproof And Waterproof Level	IEC 529 edition 2.0 (1989)	IP67	

Note: IP protection level for speaker front side when built into sealed housing.

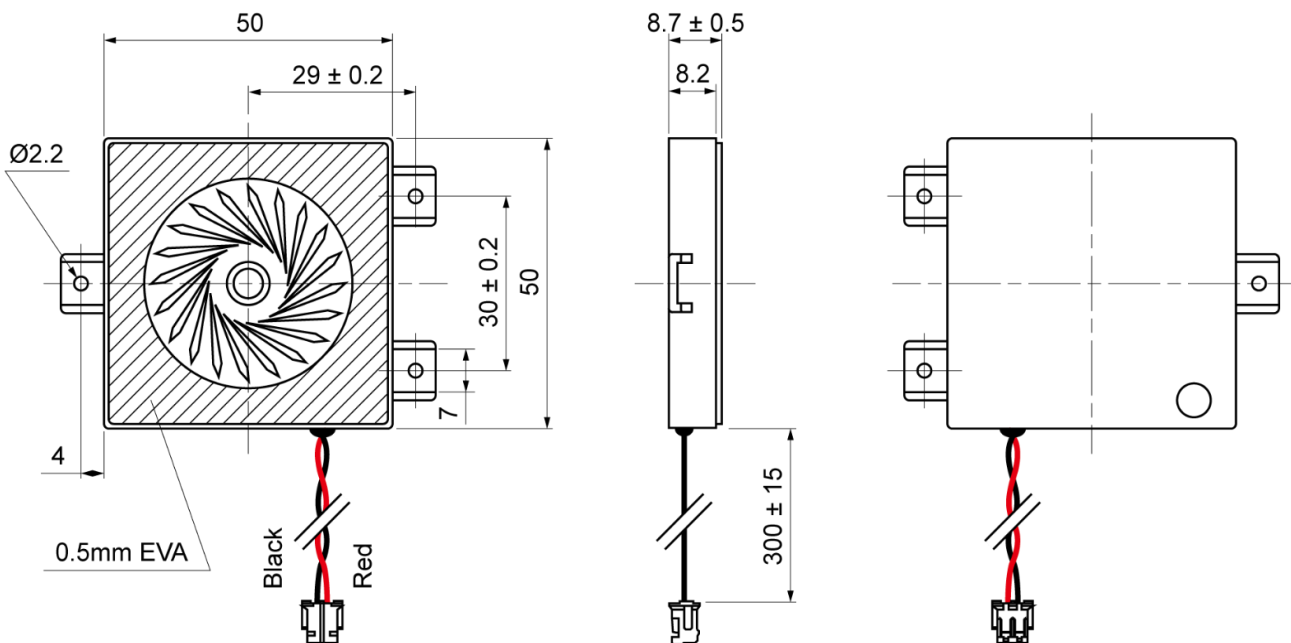
MECHANICAL DRAWING

Dimensions in mm

Wire: UL 1061 26AWG

Tolerance ±0.5mm Except Specified

Connector: JST PHR-2



Speaker

Model: OSS30-50-8A2.5W4-C

FREQUENCY RESPONSE CURVE

